

## IT FIT 30/220-240/24

ICUTRONIC FIT 24V | Constant voltage ECG for LED modules



### Product family features

- Wide Ta range -20 – +50 °C
- 24 V constant output voltage
- Output power up to 250 W
- High efficiency up to 93% (depend on different wattage)
- PF >0.98
- Screw terminal
- Suitable for Class I/II luminaires
- Build-in and independent installation
- 5 years guarantee\*
- Cable clamp integrated
- SELV
- Overload protection
- Overtemperature protection
- Mains voltage: 220 – 240 VAC
- Lifetime: up to 50,000 h (temperature at max.  $t_c$ )
- Short circuit protection

### Product family benefits

- Class II design for wide application
- Well design for Flex and Signage
- Excellent price/quality/watt ratio

## Areas of application

- Hospitality – decorative lighting, night light
- Residential – cove lighting, under cabinet lighting
- Shops – decorative lighting, shelf lighting
- Restaurants – decorative lighting

## Technical data

### Electrical data

<b>Nominal input voltage</b>	220...240 V
<b>Mains frequency</b>	50/60 Hz
<b>Input voltage AC</b>	198...264 V
<b>Input voltage DC</b>	not relevant
<b>Total harmonic distortion</b>	< 5 % <sup>1)</sup>
<b>Power factor <math>\lambda</math></b>	0.98
<b>Efficiency in full-load</b>	87 % <sup>2)</sup>
<b>Device power loss</b>	4.9 W <sup>3)</sup>
<b>Inrush current</b>	13.8 A <sup>4)</sup>
<b>Max. ECG no. on circuit breaker 10 A (B)</b>	28
<b>Max. ECG no. on circuit breaker 16 A (B)</b>	46
<b>Surge capability (L-N)</b>	2 kV
<b>Nominal output voltage</b>	24 V
<b>Nominal output power</b>	30 W
<b>Maximum output power</b>	30 W

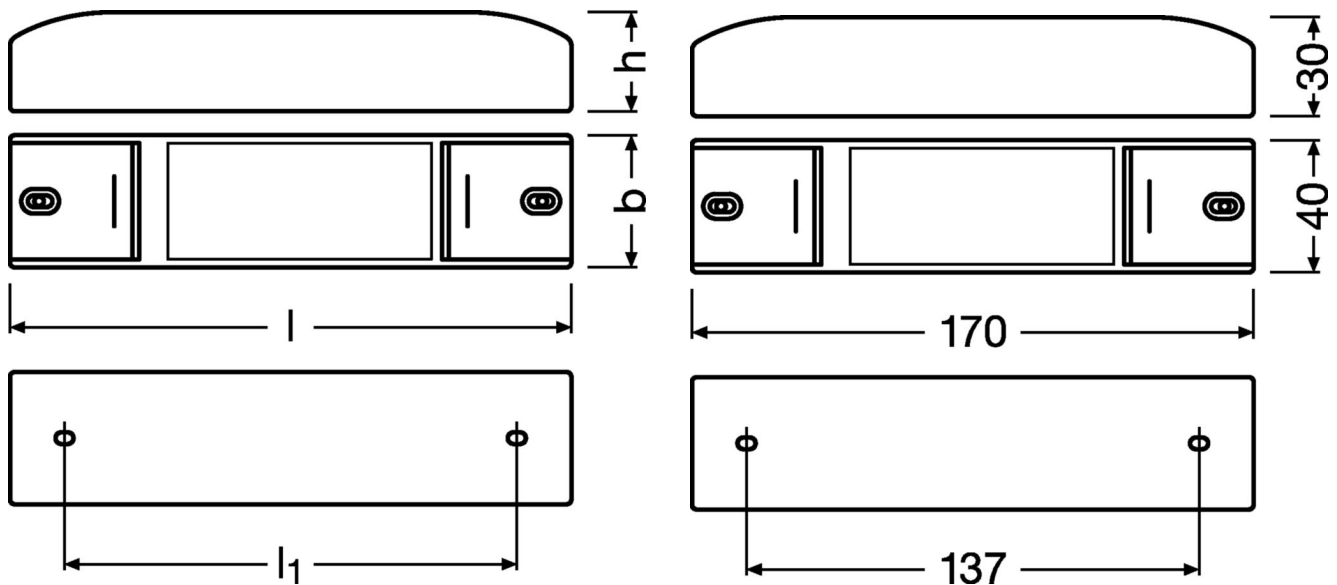
1) At full load, 230 V, 50 Hz / see graphs

2) at 230 V, 50 Hz

3) Full load, 230 Vac, 50Hz / 60Hz

4)  $t_{width} = 336 \mu s$  (measured at 50 %  $I_{peak}$ )

## Dimensions & weight



Length	170.0 mm
Width	40.0 mm
Height	30.0 mm
Mounting hole spacing, length	137.0 mm
Mounting hole spacing, width	not relevant mm
Cable cross-section, input side	0.75...1.5 mm <sup>2</sup>
Cable cross-section, output side	0.75...1.5 mm <sup>2</sup>
Wire preparation length, input side	5.0 mm
Product weight	205.00 g

## Colors & materials

Casing material	Plastic
-----------------	---------

## Temperatures & operating conditions

Ambient temperature range	-20...+50 °C
Maximum temperature at tc test point	80 °C
Max.housing temperature in case of fault	110 °C
Temperature range at storage	-40...+85 °C
Permitted rel. humidity during operation	5...85 % <sup>1)</sup>

1) Non-condensing

## Lifespan

<b>ECG lifetime</b>	50000 h <sup>1)</sup>
---------------------	-----------------------

1) At maximum  $T_c = 80^\circ\text{C}$  / 10% failure rate

## Capabilities

<b>Dimmable</b>	No
<b>Max. cable length to lamp/LED module</b>	3.0 m <sup>1)</sup>
<b>Suitable for fixtures with prot. class</b>	I / II
<b>Number of channels</b>	1
<b>Overheating protection</b>	Yes
<b>Overload protection</b>	Yes
<b>Short-circuit protection</b>	Yes
<b>Intended for no-load operation</b>	No
<b>No-load proof</b>	Yes

1) Output wires must be routed as close as possible to each other

## Certificates & standards

<b>Approval marks – approval</b>	CE / CCC / RCM / MM <sup>1)</sup>
<b>Standards</b>	Acc. to EN 61347-1 / Acc. to EN 61347-2-13 / Acc. to EN 62384 / Acc. to EN 61000-3-2 / Acc. to EN 61000-3-3 / Acc. to EN 61547 / Acc. to IEC 61347-1 / Acc. to IEC 61347-2-13 / Acc. to IEC 61000-3-2 / Acc. to IEC 61000-3-3 / Acc. to IEC 62384 / Acc. to IEC 61547
<b>Type of protection</b>	IP20

1) In preparation

## Logistical data

<b>Commodity code</b>	85044083900
-----------------------	-------------

## Environmental information

Information according Art. 33 of EU Regulation (EC) 1907/2006 (REACH)	
<b>Date of Declaration</b>	29-07-2024
<b>Primary Article Identifier</b>	4062172168007
<b>Declaration No. in SCIP database</b>	In work
<b>SCIP_STATUS</b>	In work
<b>SCIP_ID</b>	

## Ecodesign regulation information:

Intended for use with LED modules.

The forward voltage of the LED light source shall be within the defined operating window of the control gear in all operating conditions including dimming if applicable.

Separate control gear and light sources must be disposed of at certified disposal companies in accordance with Directive 2012/19/EU (WEEE) in the EU and with Waste Electrical and Electronic Equipment (WEEE) Regulations 2013 in the UK. For this purpose, collection points for recycling centres and take-back systems (CRSO) are available from retailers or private disposal companies, which accept separate control gear and light sources free of charge. In this way, raw materials are conserved and materials are recycled.

---

## Download Data

File		
Mandatory Publications	PDF	▶ IT FIT CE 4242539 05 240724
Mandatory Publications	PDF	▶ IT FIT 24 UKD 4281065 02 240724



## Logistical Data

Product code	Product description	Packaging unit (Pieces/Unit)	Dimensions (length x width x height)	Volume	Gross weight
4062172168007	IT FIT 30/220-240/24	Shipping carton box 50 Pieces	485 x 185 x 225 mm	20.19 dm <sup>3</sup>	220.28 g

The mentioned product code describes the smallest quantity unit which can be ordered. One shipping unit can contain one or more single products. When placing an order, for the quantity please enter single or multiples of a shipping unit

## CBP\_0X.00 References / Link, all [calc.]

\* For more information on the multi-level guarantee and the terms and conditions of the guarantee visit <https://www.inventronics-light.com/multilevel-guarantees>

## Disclaimer

Subject to change without notice. Errors and omission excepted. Always make sure to use the most recent release.